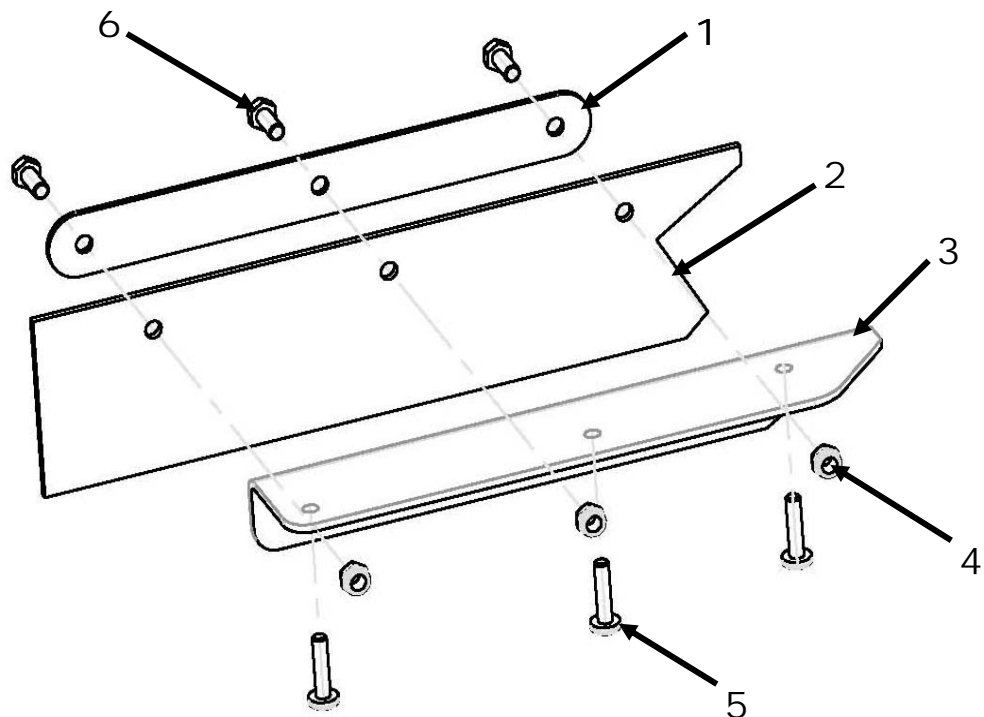


INSTALLATION INSTRUCTIONS				Description
Part No	1463259000	Date	07.12.2007	INSTALLATION INSTRUCTIONS FOR : SKIRT NEO SIDE BROOM KIT 1463255000
Page	1	Release	1	
Issued	R & D	Machine Type		
Name	Mangione M.	Product Index	F-23.3.5	

PROCEDURA DI INSTALLAZIONE - ASSEMBLY PROCEDURE

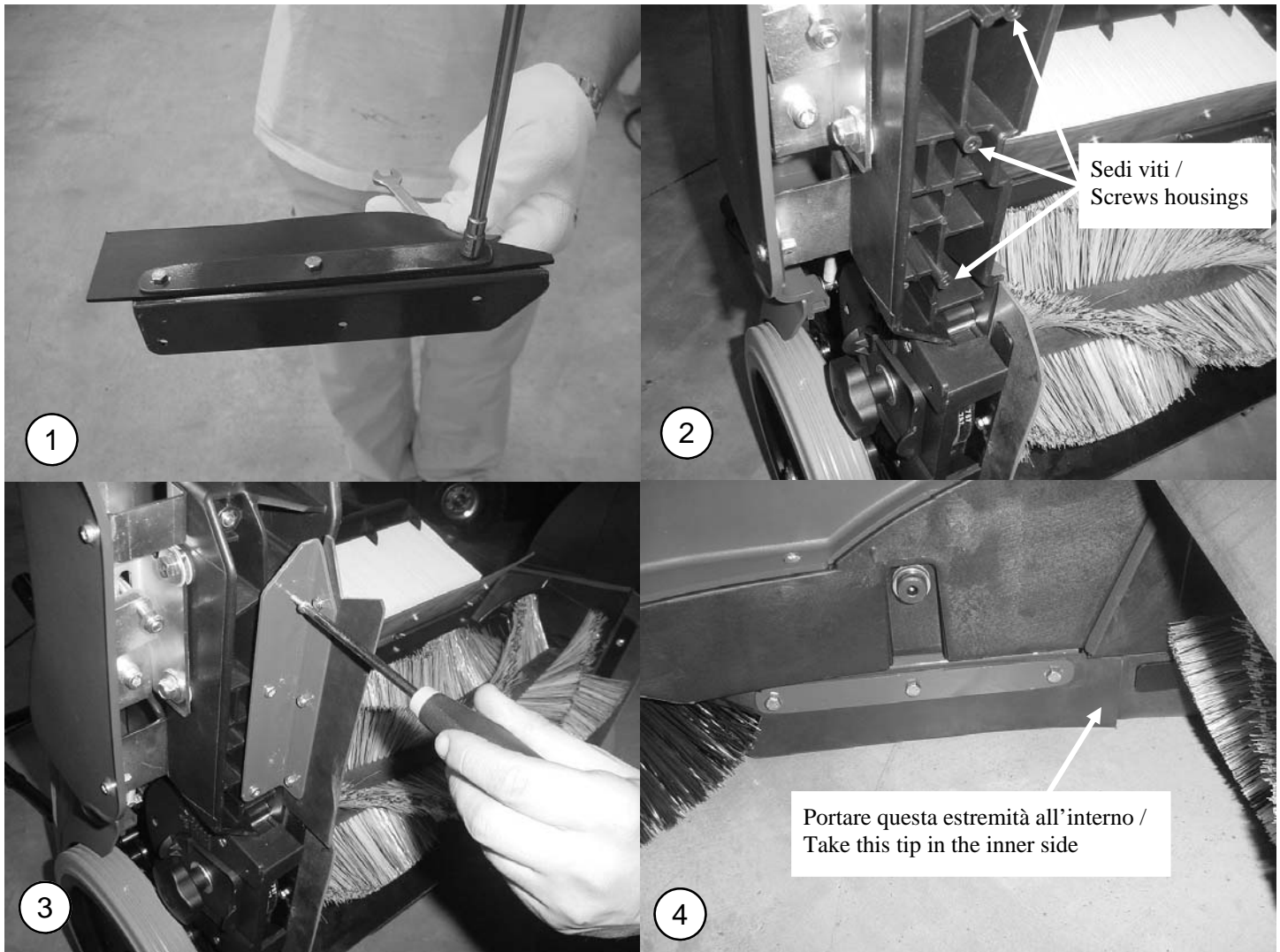


Contents of Kit / *Contenuto del Kit*

ITEM/ <i>Pos.</i>	QTY/ <i>Quantità</i>	DESCRIPTION/ <i>Descrizione</i>
1	1	Side Broom Skirt Plate / <i>Bandella Flap Spazzola Laterale</i>
2	1	Side Broom Skirt / <i>Flap Spazzola laterale</i>
3	1	Side Broom Skirt Support / <i>Supporto Flap Spazzola laterale</i>
4	3	Self-Locking Nut M5 / <i>Dado Autobloccante M5</i>
5	3	Self-Tapping Screw 4,5x1,9 / <i>Vite Autofilettante 4,5x1,9</i>
6	3	Vite TE M5x12 / <i>Screw M5x12</i>

INSTALLATION INSTRUCTIONS				Description
Part No	1463259000	Date	07.12.2007	INSTALLATION INSTRUCTIONS FOR : SKIRT NEO SIDE BROOM KIT 1463255000
Page	2	Release	1	
Issued	R & D	Machine Type		
Name	Mangione M.	Product Index	F-23.3.5	

PROCEDURA DI INSTALLAZIONE - ASSEMBLY PROCEDURE



- 1) Pre-montare il flap tra supporto e bandella, per mezzo delle viti e dei dadi M5, come mostrato in figura.
Pre-assemble the skirt between the support and the plate, by means of the screws and the nuts M5, as shown in the picture.
- 2) Rimuovere il contenitore rifiuti e la spazzola laterale, poi ribaltare completamente la macchina.
Remove the dirt container and the side broom, then tilt completely the machine.
- 3) Fissare il supporto al telaio per mezzo delle 3 viti autofilettanti.
Fix the support on the chassis by means of the 3 self-tapping screws.
- 4) Montaggio ultimato.
Assembly completed.